

## DS-2CE78D0T-LFS 2MP Dual Light Audio Fixed Turret Camera



- High quality imaging with 2 MP, 1920×1080 resolution
- Fixed focal lens, 2.8 mm and 3.6 mm optional
- Up to 40 m IR distance for bright night imaging
- Up to 20 m white light distance for bright night imaging
- One port for four switchable signals (TVI/AHD/CVI/CVBS )
- High quality audio with audio over coaxial cable, built-in mic
- Water and dust resistant (IP67)

## ▪ Specification

| Camera                   |  |
|--------------------------|--|
| Image Sensor             | 2 MP CMOS  |
| Max. Resolution          | 1920 (H) × 1080 (V)  |
| Min. Illumination        | 0.01 Lux @ (F1.6, AGC ON), 0 Lux with IR   |
| Shutter Time             | PAL: 1/25 s to 1/50,000 s; NTSC: 1/30 s to 1/50,000 s  |
| Day & Night              | ICR  |
| Angle Adjustment         | Pan: 0 to 360°, Tilt: 0 to 75°, Rotation: 0 to 360°  |
| Signal System            | PAL/NTSC   |
| Lens                     |  |
| Lens Type                | Fixed focal lens, 2.8 mm and 3.6 mm optional   |
| Focal Length & FOV       | 2.8 mm, horizontal FOV: 100°, vertical FOV: 55°, diagonal FOV: 116°<br>3.6 mm, horizontal FOV: 80°, vertical FOV: 43°, diagonal FOV: 95° |
| Lens Mount               | M12  |
| Illuminator              |  |
| Supplement Light Type    | White Light, IR  |
| Supplement Light Range   | IR : Up to 40 m<br>White Light : Up to 20 m  |
| Image                    |  |
| Image Settings           | Brightness, Sharpness, Smart IR  |
| Frame Rate               | TVI: 1080P@30fps, 1080P@25fps<br>AHD: 1080P@30fps, 1080P@25fps<br>CVI: 1080P@30fps, 1080P@25fps<br>CVBS: PAL/NTSC                        |
| Day/Night Mode           | Auto/Color/BW (Black and White)  |
| Wide Dynamic Range (WDR) | Digital WDR  |
| Image Enhancement        | DWDR/BLC/HLC/Global  |
| White Balance            | Auto/Manual  |
| AGC                      | Yes  |
| Interface                |  |
| Video Output             | Switchable TVI/AHD/CVI/CVBS  |
| Built-in Microphone      | Yes  |
| General                  |  |
| Material                 | Body: Metal<br>Enclosure: Metal  |
| Dimension                | 97.9 mm × Ø110 mm (3.85" × Ø4.33")   |
| Weight                   | Approx. 340 g (0.75 lb.)   |
| Operating Condition      | -40 °C to 60 °C (-40 °F to 140 °F). Humidity: 90% or less (non-condensation)   |
| Communication            | HIKVISION-C  |
| Language                 | English  |
| Power Supply             | 12 VDC ± 25%<br>*You are recommended to use one power adapter to supply the power for one camera.  |
| Consumption              | Max. 3.5 W   |

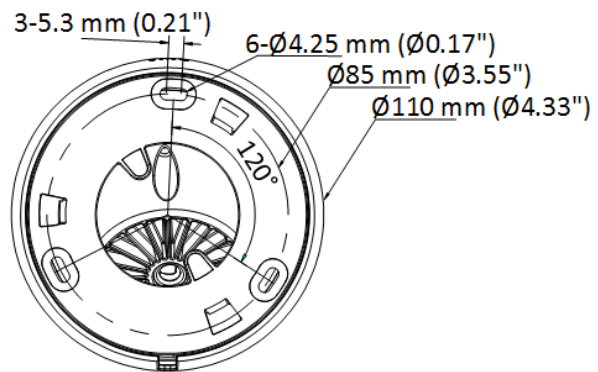
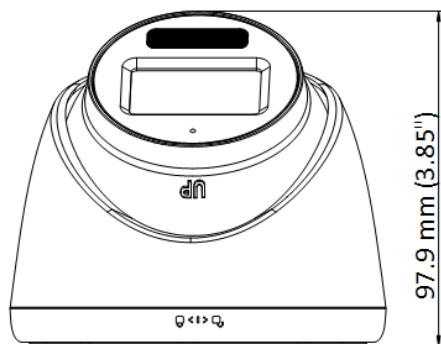
**Approval**

|            |      |
|------------|------|
| Protection | IP67 |
|------------|------|

▪ **Available Model**

DS-2CE78D0T-LFS

▪ **Dimension**



▪ **Accessory**

▪ **Optional**

| DS-1272ZJ-110-TRS<br>Wall mount | DS-1275ZJ-SUS<br>Vertical pole mount | DS-1276ZJ-SUS<br>Corner mount | DS-1280ZJ-S<br>Junction box | DS-1281ZJ-S<br>Inclined ceiling<br>mount |
|---------------------------------|--------------------------------------|-------------------------------|-----------------------------|--|
|                                 |                                      |                               |                             |  |
|                                 |                                      |                               |                             |  |



**Headquarters**

No.555 Qianmo Road, Binjiang District,  
Hangzhou 310051, China  
T +86-571-8807-5998  
www.hikvision.com



Follow us on social media to get the latest product and solution information.

